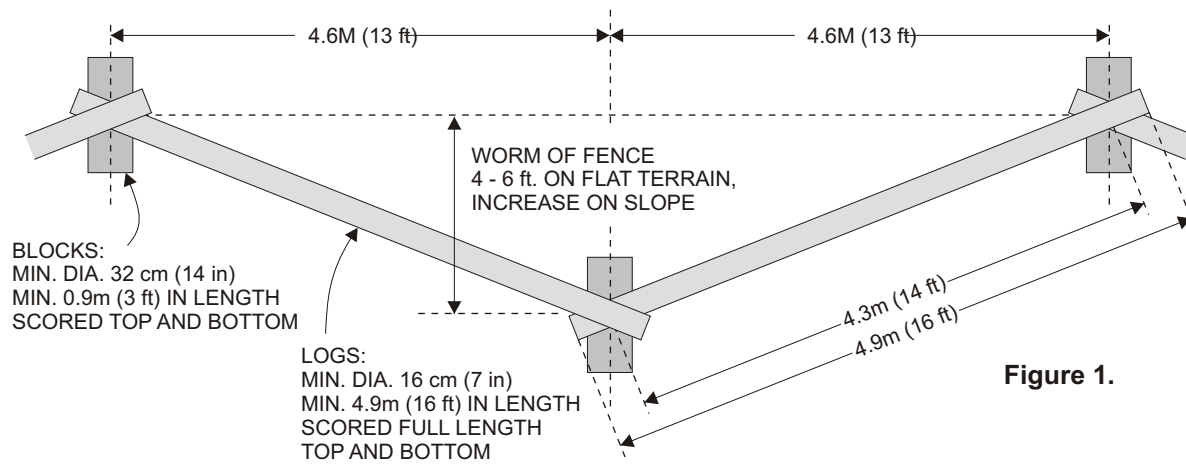


LOG FENCE

THE FOLLOWING SPECIFICATIONS WILL PRODUCE AN INITIAL FENCE HEIGHT OF 1.27m (50in) THAT WILL SHRINK AND SETTLE IN HEIGHT APPROX. 100 to 125 mm (4 to 5 in) OVER TWO YEARS

LOG FENCE DESIGN

- ACQUIRE APPROPRIATE AUTHORIZATION FROM THE MINISTRY OF FORESTS PRIOR TO THE COMMENCEMENT OF THE CONSTRUCTION.
- USE LODGEPOLE PINE, DOUGLAR IFR, OR AS OTHERWISE SPECIFIED FOR LOGS AND BLOCKS.
- FOR EACH PANEL, USE FOUR LOGS RESTING ON TWO BLOCKS (WHICH ARE SHARED BETWEEN PANELS), AS IN Figure 1.
- IF MATERIAL IS NOT SUITABLE FOR A 4-LOG PANEL, A 3-LOG PANEL MAY BE CONSTRUCTED. LOGS MUST NOT BE LESS THAN 16cm (7 in) IN DIAMETER AT THE SMALL END. BLOCKS TO BE NOT LESS THAN 32cm (14 in) IN DIAMETER AND NOT LESS THAN .9m (3 ft) IN LENGTH.
- FENCE HEIGHT: MAXIMUM OF 1.32m (54 in).
- GAME JUMP: REQUIRED WHERE FENCE HEIGHT IS CONSISTENTLY ABOVE 1.27m (50 in) AS IN Figure 3.



LOG FENCE RIGHT-OF-WAY

- CONSTRUCT THE FENCE ON OR NEAR THE RIGHT-OF-WAY CENTRE LINE.
- ENSURE EASY PASSAGE OF A HORSE AND RIDER ALONG EITHER SIDE OF THE FENCE.

SLASH

- DISPOSE OF RIGHT-OF-WAY SLASH AS DIRECTED BY THE FOREST OFFICER (i.e., BURNING PERMIT IS REQUIRED).
- DO NOT DEPOSIT TREES OR ANY SUBSTANCE LIKELY TO CAUSE WATER POLLUTION IN ANY STREAM CHANNEL.
- FELL ANY DEAD, DEFECTIVE, OR LEANING TREES LIKELY TO FALL ACROSS THE FENCE AND DISPOSE OF THE SLASH AS OUTLINED BELOW.
- LOP OFF ALL BRANCHES FROM THE TOPS OF TREE AND BUCK THE REMAINDER OF THE TREE INTO LENGTHS SO EACH SECTION OF THE TREE MAKES CONTACT WITH THE GROUND.

SEEDING

- SEED ALL DISTURBED GROUND ON THE FENCE RIGHT-OF-WAY WITH A SUITABLE GRASS MIX APPROVED BY THE MINISTRY OF FORESTS.

RUNOFF

- WATER DIVERSION BARS MAY BE REQUIRED ON SECTIONS OF THE RIGHT-OF-WAY AS ASSESSED BY A FOREST OFFICER.

REFERENCE TO OTHER TYPES OF FENCES MAY BE FOUND IN THE **BRITISH COLUMBIA AGRICULTURE FENCING STANDARDS**

LOG FENCE CONSTRUCTION

LOGS

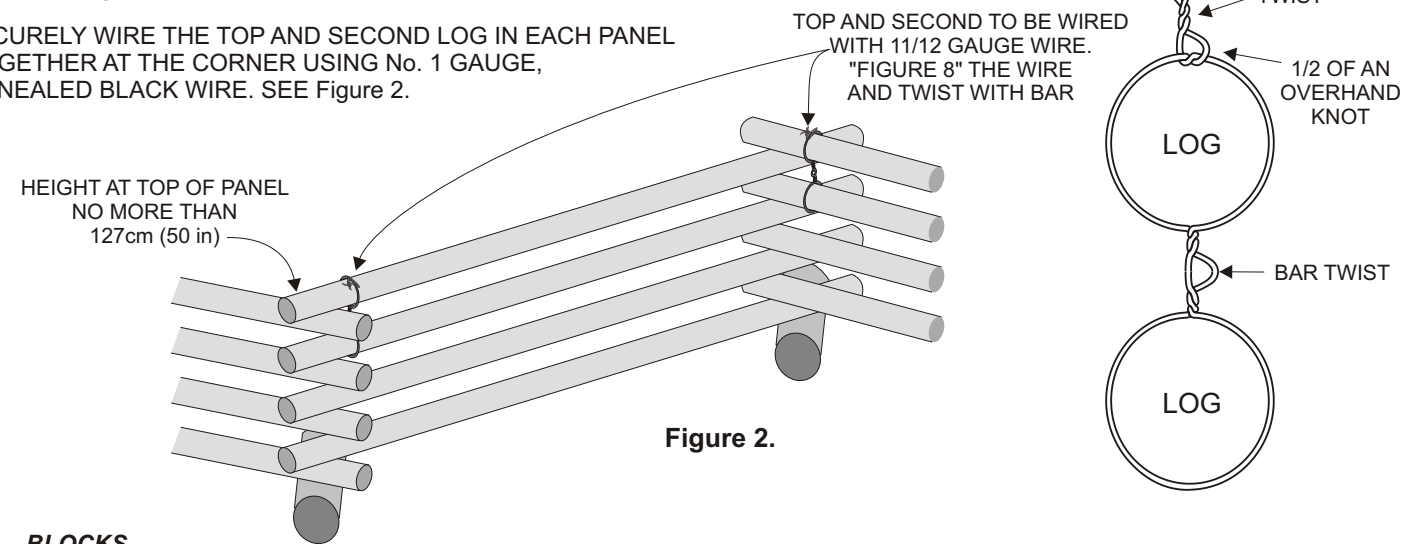
- LOG LENGTH: 4.9m (16 ft) FOR A 4.3m (14 ft) PANEL WITH A MINIMUM DIAMETER OF 125mm (5 in).
- SCORE LOGS FULL LENGTH ON TOP AND BOTTOM. DOUGLAS FIR LOGS MUST BE SCORED ON FOUR SIDES.
- FENCE WORM (WIDTH OF ZIGZAG) MUST BE A MINIMUM 1.2m (4 ft) AND MAXIMUM 1.8m (6 ft), AS SOWN IN Figure 1.
- THE WORM CORNER MUST BE PLUMB (PERPENDICULAR TO THE GROUND) OR NOT GREATER THAN 150mm (6 in) AWAY FROM PLUMB FROM TOP LOG TO THE BASE LOG.

NOTCHES

- NOTCH LOGS 50mm (2 in) DEEP.
- NOTCHES MUST BE MINIMUM 150mm (6 in) INWARD FROM THE LOG ENDS.

WIRING

- SECURELY WIRE THE TOP AND SECOND LOG IN EACH PANEL TOGETHER AT THE CORNER USING No. 1 GAUGE, ANNEALED BLACK WIRE. SEE Figure 2.



BLOCKS

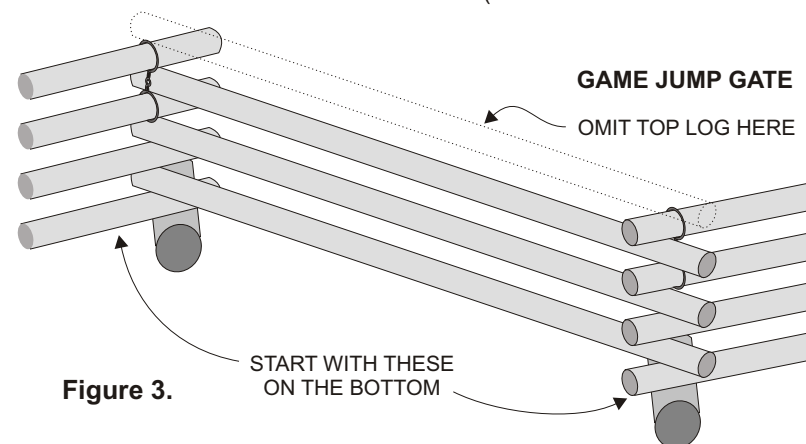
- BLOCKS MUST BE MINIMUM 250mm (10 in) DIAMETER AND 1m (3 ft) LONG.
- SCORE BLOCKS FULL LENGTH ON TWO OPPOSITE SIDES.
- BLOCKS ON BOGGY AREAS MUST BE MINIMUM 300mm (12 in) DIAMETER AND 1.2m (4 ft) LONG.


GATES

- INSTALL GATES ON ALL ROADS AND TRAILS AS SPECIFIED BY THE FOREST OFFICER AND/OR AT INTERVALS OF MAXIMUM 800m (1/2 mi) APART.
- GATES MUST HAVE A MINIMUM CLEARANCE OF 450mm (18 in) BETWEEN THE GROUND AND THE BOTTOM RAIL.

GAME JUMPS

- INSTALL THE GAME JUMPS WHEN FENCE HEIGHT REMAINS CONSISTENTLY ABOVE 1.27m (50 in) AT WELL-DEFINED GAME TRAILS, OR WHERE SPECIFIED.
- CONSTRUCT GAME JUMP FENCE PANELS ONLY THREE LOGS HIGH.
- CONSTRUCT GAME JUMP PANELS IN ONE OF TWO WAYS, EITHER BY REPLACING THE TOP RAIL WITH A BLOCK AT ONE END (TO MAINTAIN THE WORM), OR BY STARTING THE FIRST LOG SO IT RESTS ON TOP OF THE LOG FROM EACH ADJACENT PANEL (INSTEAD OF ON A LOG AT ONE END AND ON A BLOCK AT THE OTHER END). SEE Figure3.



Standard FENCING - LOG	
File No:	Draft Date: 08/07
Approved By: <i>WJ Marshall</i>	Revision No: Date: 01/08
Date:	Revision No: Date:
 Ministry of Tourism, Sport and the Arts	
Drawing Scale: 1 : 60	Sheet Size: 11" X 17"
Drawing No: RST 481-FL-1	