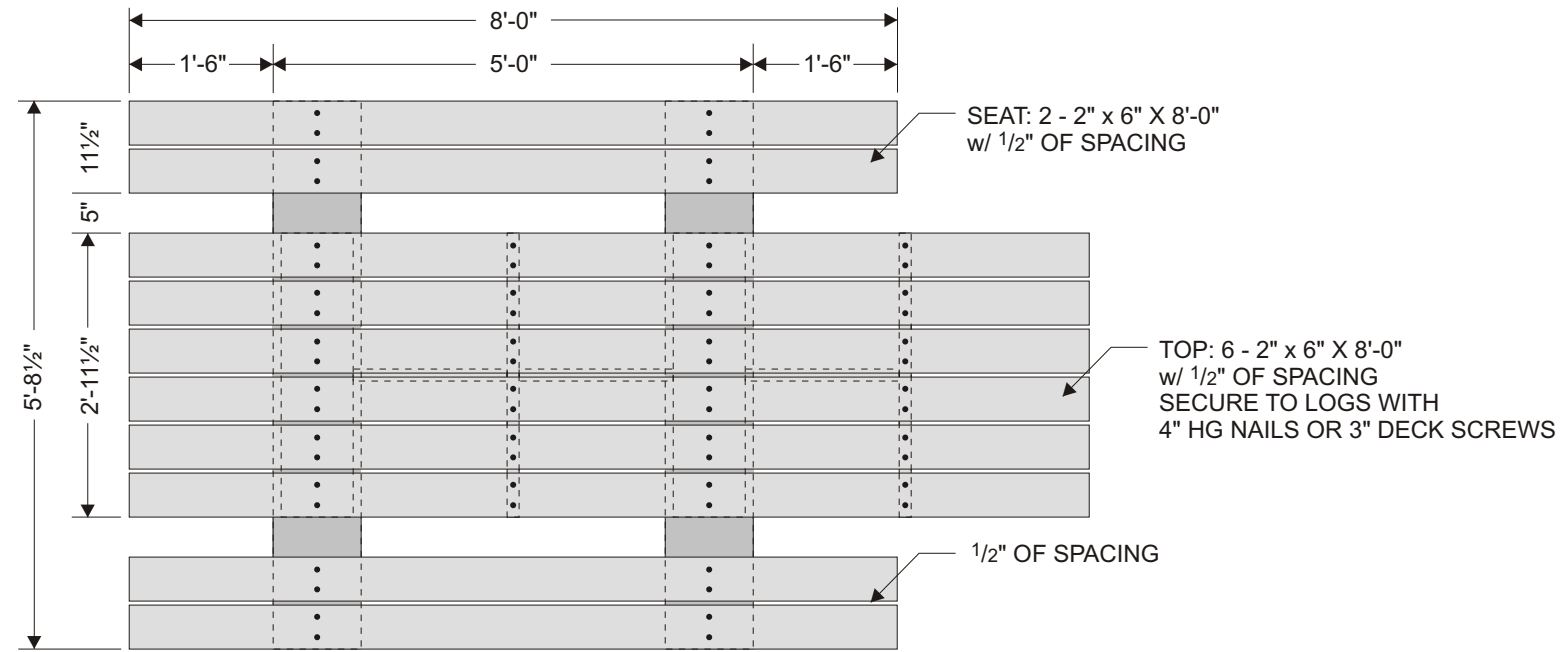
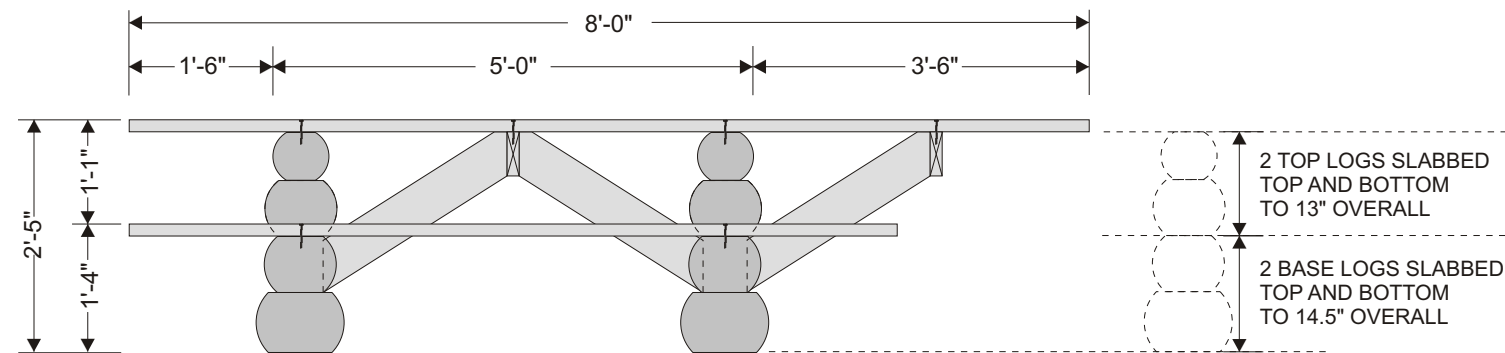


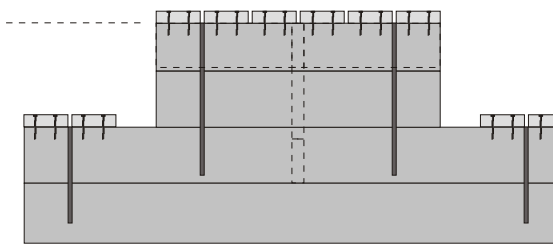
PICNIC TABLE - HANDICAP - LOG - STANDARD



TOP VIEW



SIDE VIEW




END VIEW

MATERIAL LIST

| QUANTITY | SIZE | MATERIALS | REMARKS |
|----------|--------------------------|-------------------------------------|------------|
| 6 pcs. | 2" x 6" x 10'-0" | SELECT S4S SPRUCE - PINE - FIR | TABLE TOP |
| 4 pcs. | 2" x 6" x 8'-0" | SELECT S4S SPRUCE - PINE - FIR | BENCHES |
| 4 pcs. | MIN. 8" DIA. x 3'-0" | PEELED & CLEANED PINE OR CEDAR LOGS | TABLE ENDS |
| 4 pcs. | MIN. 9" DIA. x 5'-8 1/2" | PEELED & CLEANED PINE OR CEDAR LOGS | |
| 5 pcs. | 2" x 6" x 3'-0" | SELECT S4S SPRUCE - PINE - FIR | BRACING |
| 52 pcs. | 4" or 3" | HG NAILS or SCREWS | HARDWARE |
| 4 pcs. | 1/2" x 12" LG. | REBAR | |
| 4 pcs. | 1/2" x 19" LG. | REBAR | |

BASE LOGS SLABBED TOP AND BOTTOM TO 13" OVERALL

| Standard | | PICNIC TABLE - HANDICAP - LOG | |
|---|--------------------|-------------------------------|-------------------------------|
| File No: | | Draft Date: | 07/05 |
| Approved By: | <i>WJ Marshall</i> | Revision No: | Date: 01/08 |
| Date: | | Revision No: | Date: |
|  Ministry of Tourism, Sport and the Arts | | Drawing Scale: | 1" x 2' Sheet Size: 11" x 17" |
| | | Drawing No: | RST 481-PT-2 |